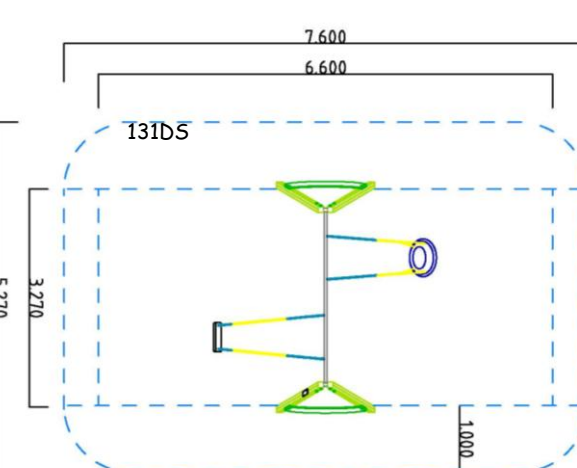
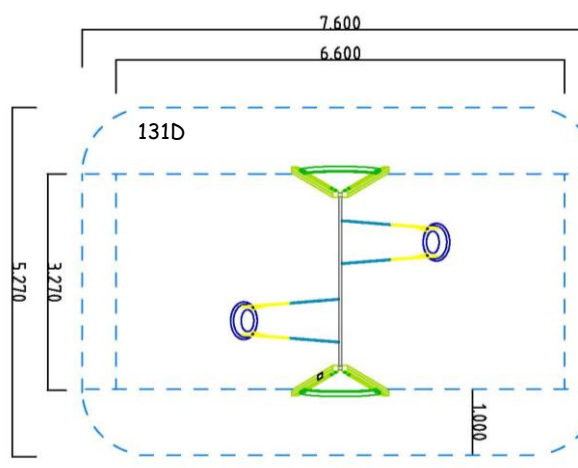
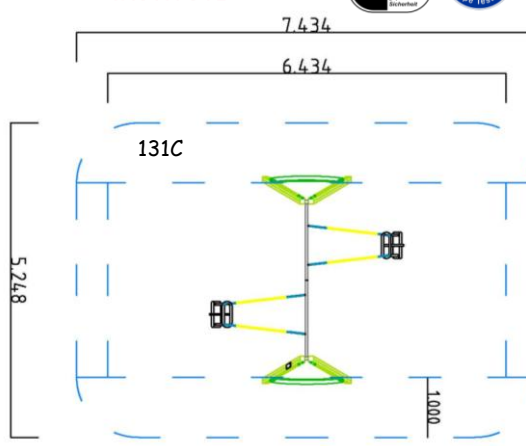
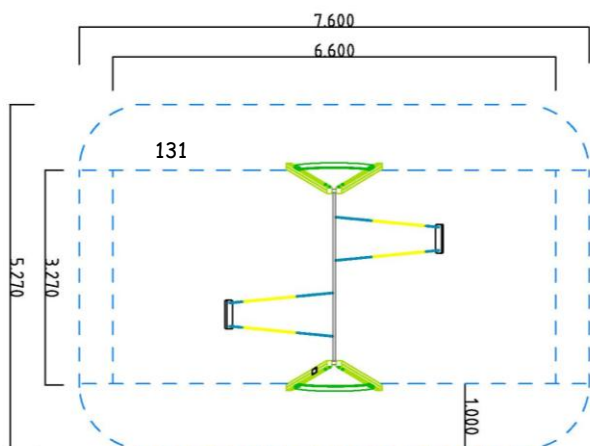


# Technical Data Sheet

## 131 / 131C / 131D / 131DS Swing



Product: 131 / 131C / 131D / 131DS  
 Product group: KRUMMA-Gull  
 Certification: EN1176-1-2:2008 DTI/TUV NORD  
 User age: 131/131D/131DS: +2 years  
 131C: +1 year  
 Installation: 60 min  
 x2 Installers  
 x4 Holes  
 0.2m<sup>3</sup> concrete  
 Package: 130kg  
 0.3m<sup>3</sup>  
 Longest part: 3,1m.



\* Fallingheight = 120cm.